



musikelectronic geithain

# ME 802K



**Instructions for installation and use**

**Table of contents**

<b>1</b>	<b>Introduction</b>	<b>1</b>
<b>2</b>	<b>Disclaimer</b>	<b>2</b>
<b>3</b>	<b>System description</b>	<b>3</b>
<b>4</b>	<b>Basic information</b>	<b>4</b>
4.1	Guidelines	4
4.2	Safety instructions	4
4.3	Unboxing	6
4.4	Delivery contents	6
4.5	Cleaning	6
4.6	Environmental conditions	6
4.7	Guarantee acknowledgements	6
<b>5</b>	<b>Positioning</b>	<b>7</b>
5.1	Positioning near walls	7
5.2	Stereo operation	8
5.3	Surround operation	9
<b>6</b>	<b>Set-up the speakers</b>	<b>10</b>
6.1	Mains connection	10
6.2	Cable connection	10
6.3	Adjustment controller	11
6.4	Status indication	11
6.5	LFE input	11
<b>7</b>	<b>Specifications</b>	<b>12</b>
<b>8</b>	<b>Acoustic measurements</b>	<b>13</b>
<b>9</b>	<b>Notes</b>	<b>14</b>

## **1 Introduction**

Dear customer,

Thank you for the trust you have put in us by buying these speakers. You decided upon a quality product that in regard to tonal and technical characteristics complies to the utmost expectations.

The usual burn-in period is not required, because the speakers are artificially aged in-house.

**Please read the technical description and manual to take advantage of the capabilities of these speakers and ensure safe operation.**

## **2 Disclaimer**

Technical data and appearances are subject to changes without notice. Errors and omissions excepted. Musikelectronic Geithain GmbH assumes no liability for any loss which may be suffered by any person who relies either wholly or in part upon any description, photograph or statement contained herein. Musikelectronic Geithain GmbH products are sold through authorized fulfillers and resellers only. Fulfillers and resellers are not agents of Musikelectronic Geithain GmbH and have absolutely no authority to bind Musikelectronic Geithain GmbH by any express or implied undertaking or representation. This manual is copyrighted. No part of this manual may be reproduced or transmitted in any form or by any means, electronic or mechanical, including photocopying and recording, or by any information storage or retrieval system without the prior written permission of Musikelectronic Geithain GmbH.

All rights reserved

Copyright © 2018 Musikelectronic Geithain GmbH

### 3 System description

The 4-way concept of the ME802K comprises three 10-inch woofer systems, a 6.5-inch high-performance midrange system and a tweeter array with three vertically arranged 1-inch dome tweeters. The directivity of the system has been optimized for listening distances of between three and eight metres, rendering a natural sound pattern in stereo and multichannel operation. Two 1000 W and two 500 W amplifier modules supply the bass, mid and treble channels with sufficient power. The resulting overload safety ensures that even signals with highest peak levels are not limited. Also, sound pressure levels of up to 125 dB can be performed without audible distortions throughout the effective frequency range. A room compensation network, integrated into the amplifier electronics, allows control of the room-dependent frequency response.

The vertical arrangement of the 10-inch woofers provides a directivity index that ensures realistic bass presence even at listening distances of up to eight metres. Our reliable K Technology minimizes rearward-directed room reflections in the bass range and simplifies the positioning of the ME802K in the listening room. If required, the three 10-inch bass units can be operated as subwoofers via the LFE input.

The low coloration and low distortion of the 6.5-inch high-performance midrange system result from the intelligent combination of several construction details. The cone loudspeaker, for example, runs without contact to the enclosure, thus avoiding the problem of cabinet resonances. Instead, the midrange system is operated with a rearward-directed acoustic flow resistor in order to achieve the desired directivity.

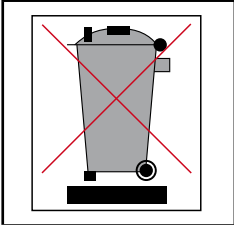
Frequently used wave guides in front of tweeter systems make directivity control easy. However, they tend to produce unavoidable coloration due to short-time reflections on the inner horn surface. We take a different approach by using a tweeter array and doing without horn loudspeaker systems for sound level enhancement. The tweeter unit that is arranged coaxially in front of the midrange system guarantees the trademark low coloration reproduction of sound events in our loudspeakers.

All these features make the ME802K so unique on the loudspeaker market. It is ideal for large listening distances and for acoustically less attenuated rooms.

## 4 Basic information

### 4.1 Guidelines

This product complies to requirements of current European and national guidelines (2004/108/EG Electromagnetical Compatibility). The conformity is ascertained, corresponding declarations and records are deposited with the manufacturer.



Products built by us belong to B2C-class of the WEEE guidelines and must not be disposed with domestic waste.

### 4.2 Safety instructions

Like using any other electrical device you should observe the following operation guidelines, safety instructions and warning signs to ensure optimum functionality and safety of operation!

- ❖ Read these instructions carefully.
- ❖ Keep these instructions during the life cycle at a safe place. The instructions are an important part of the product.
- ❖ Heed all warnings. Follow all instructions.
- ❖ The product may only be used in accordance with the information provided in the user manual. Before and during the usage of the amplifier please ensure that all recommendations, especially the safety recommendations in the user manual, are adhered to.
- ❖ Do not place this product on an unstable cart, stand, tripod, bracket, or table. The product may fall, causing serious injury, and damage to the product.
- ❖ The heat sink must not be blocked or covered. This product should not be installed unless proper ventilation is provided or manufacturer's instructions have been adhered to.
- ❖ Do not install the device near any heat sources.
- ❖ Do not expose the device to direct sun radiation.
- ❖ Do not install the device in rooms with high humidity.
- ❖ Do not try to insert anything into device openings.
- ❖ The device shall not be exposed to dripping or splashing and no objects filled with liquids shall be placed on the device.
- ❖ Clean only with dry or slightly moistened cloth.
- ❖ Protect the power cord from being walked on, pinched or damaged in any other way. Pay particular attention to plugs and the point where they exit the device.

- ◀ Do not attempt to service this product yourself as opening or removing cover may expose you to dangerous voltage or other hazards.
- ◀ Refer all servicing to qualified service personnel.

### 4.3 Unboxing

The speakers are shipped in proper condition. Unpack the speaker carefully and check for visible damages. In case of damages report them to your retailer. Keep the packaging, in case the speaker has to be transported in the future.

### 4.4 Delivery contents

- ◀ Speaker ME802K
- ◀ Mains cable
- ◀ Technical description and user manual

### 4.5 Cleaning

The speaker is made of real wood veneer and needs to be nurtured in the same way as furnishings. We advise quality wax polish to ensure durability of the veneer. Surfaces can also be cleaned with tidy, slightly dampened, fuzz-free, smooth cloth.

### 4.6 Environmental conditions

Ensure the following environmental conditions in your listening room:

- ◀ Operating temperature                    +15 °C ... +35 °C (+59 °F ... +95 °F)
- ◀ Storage temperature range            -25 °C ... +45 °C (-13 °F ... +113 °F)
- ◀ Relative humidity                        45 % ... 75 %

### 4.7 Guarantee acknowledgements

Opening the device by unauthorized personnel leads to all claims under guarantee expire. In case of destruction by overload, misuse or outside influences there are no claims under guarantee.



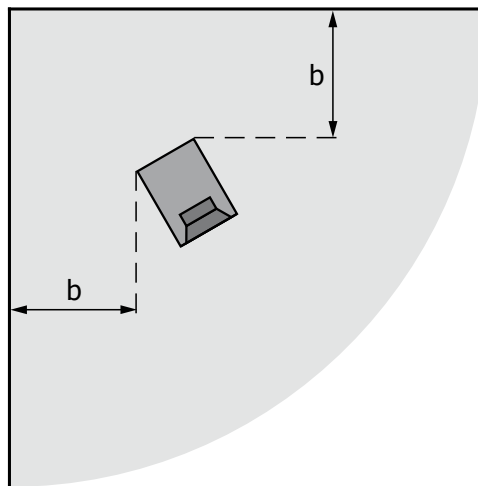
## 5 Positioning

Our speakers do not impose special requirements neither in stereo nor in multichannel set-ups. Nonetheless speaker positioning has influence on listening impression because every room is individually designed and furnished. The following advices are just guidelines that ease proper positioning. In addition we offer a measurement service to take advantage of the capabilities of your listening environment.

### 5.1 Positioning near walls

When speakers are installed near walls sound quality is physically affected. Every customary speaker behaves as a punctual sonic source in the low frequency range, with sonic waves spherical radiated without any constructional measures. Back wall reflections are unavoidable.

The speakers ME802K however utilize cardioid radiation characteristics with rearward attenuation greater than 10dB. Because of this structural measurement installation near walls is considerably less critical. For optimum listening experience a minimum distance of 20 cm (7.9") to walls and furniture should be ensured. Avoid corner installations because unwanted bass accentuation could arise.

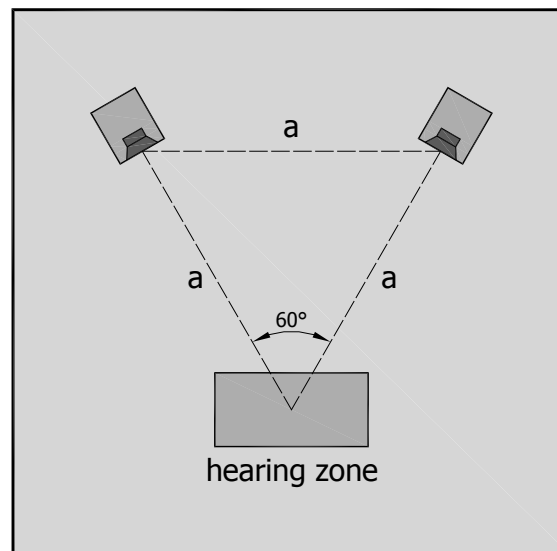


◀ Minimum distance to wall

$b \geq 20 \text{ cm (7.9")}$

## 5.2 Stereo operation

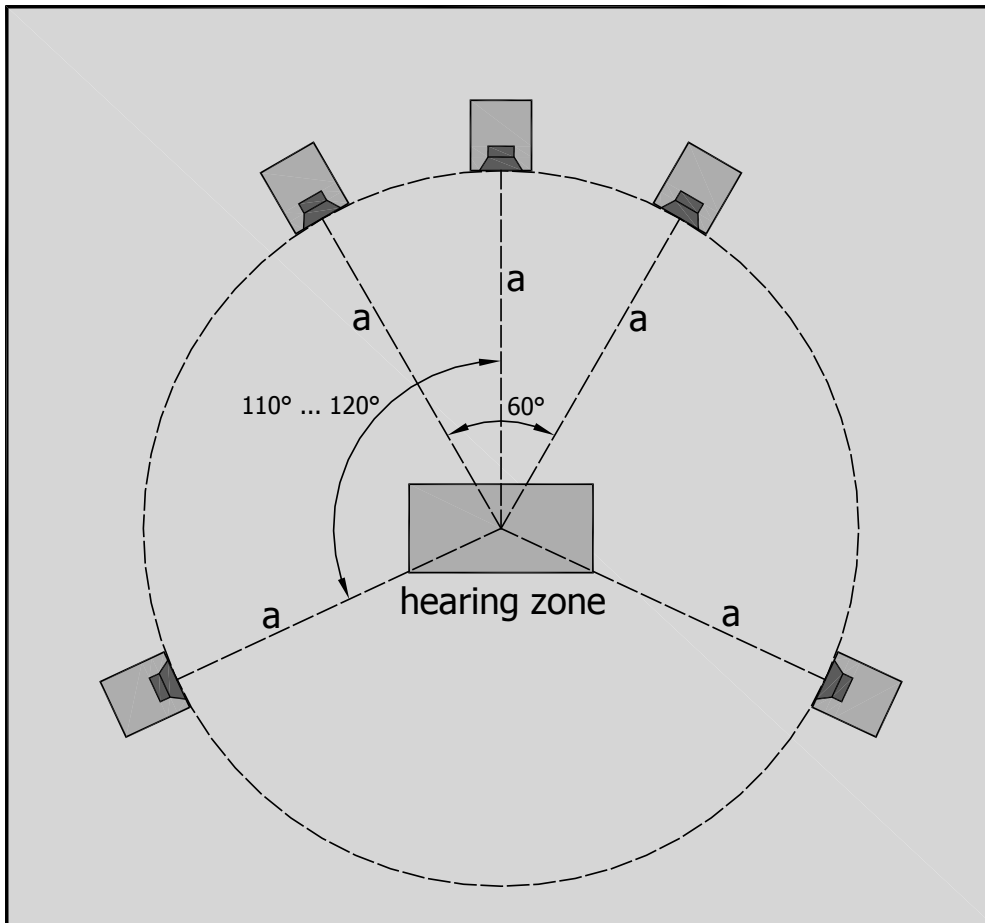
The optimum position of the speakers in your listening environment is the so-called stereo triangle (see figure). The base distance between the speakers and the distance to the hearing zone form an equilateral triangle (stereo triangle). A distance less than 3 m (9'10") or more than 8 m (26'3") should be avoided. For precise, spacial reproduction turn the speakers inside, directed to the hearing zone.



- ◀ Distance between speakers and your listening position  $a = 3 \text{ m} \dots 8 \text{ m} (9'10'' \dots 26'3'')$
- ◀ Adjust the speaker horizontally to the height of the ear at the listening position

### 5.3 Surround operation

In surround operation the stereo triangle (see Stereo operation) is extended to a circle. The hearing zone is the centre of this circle. Position all speakers in the same distance to the hearing zone. The centre speaker is positioned in the middle between both front speakers. Pay attention to positioning the front and rear speakers horizontally along one plane. The angle between centre and rear speakers should be about  $110^{\circ}$ – $120^{\circ}$ .



◀ Distance between speakers and your listening position  $a = 3\text{ m} \dots 8\text{ m} (9'10'' \dots 26'3'')$

In case installation in the prescribed way is not possible in your listening room most decoding devices allow adjustments of single speakers.

## 6 Set-up the speakers

In this chapter we inform you how to connect your speakers to mains and your signal source. Ensure that the mains switch on the backside is in position "OFF". Only when your speaker is completely connected (see chapters 6.1 and 6.2) you can take the device into operation by use of the mains switch.

The speaker can be connected to every common pre-amplifier ( $U_a = 1V \dots 5V$ ;  $R_i < 600\Omega$ ).

### 6.1 Mains connection

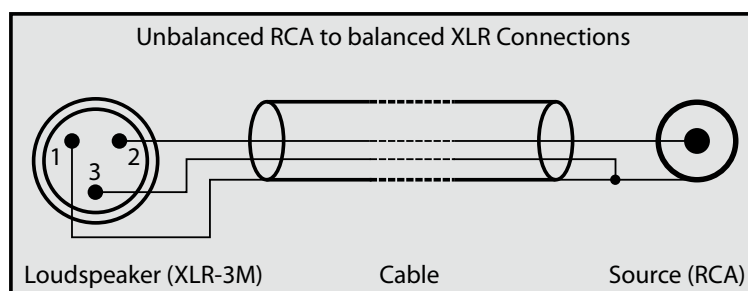
Before start-up check the mains voltage stated on the backside of the device. If your local mains voltage does not match the specification of the speaker, please refer to your retailer or direct distribution. When the stated and your local mains voltage comply connect the mains connector of the speaker to the socket with the included mains cable.

### 6.2 Cable connection

The input of the integrated amplifier is electrically balanced. When your signal source also utilizes balanced connectors, please use a cable wired as stated in the table:

	Balanced connector (amplifier)	Balanced connector (signal source)	Unbalanced connector (signal source)
	<b>XLR</b>	<b>XLR</b>	<b>RCA</b>
Earth	Pin 1	Pin 1	Ring
Signal +	Pin 2	Pin 2	Tip
Signal -	Pin 3	Pin 3	Ring

When using a signal source with unbalanced outputs (RCA) you need to balance the connecting cables. This avoids hum and other noise interferences. The table and the following figure show the wiring.



### 6.3 Adjustment controller

The "Level" controller is used for level adjustment over the full frequency range.

### 6.4 Status indication

The two-coloured LED at the front of the speaker is used as status indicator of the device.

- ◀ LED green: indicates normal operation of the device
- ◀ LED red: indicates the operation of the overload protection circuit;  
Output power limitation to protect the components from overloading

### 6.5 LFE input

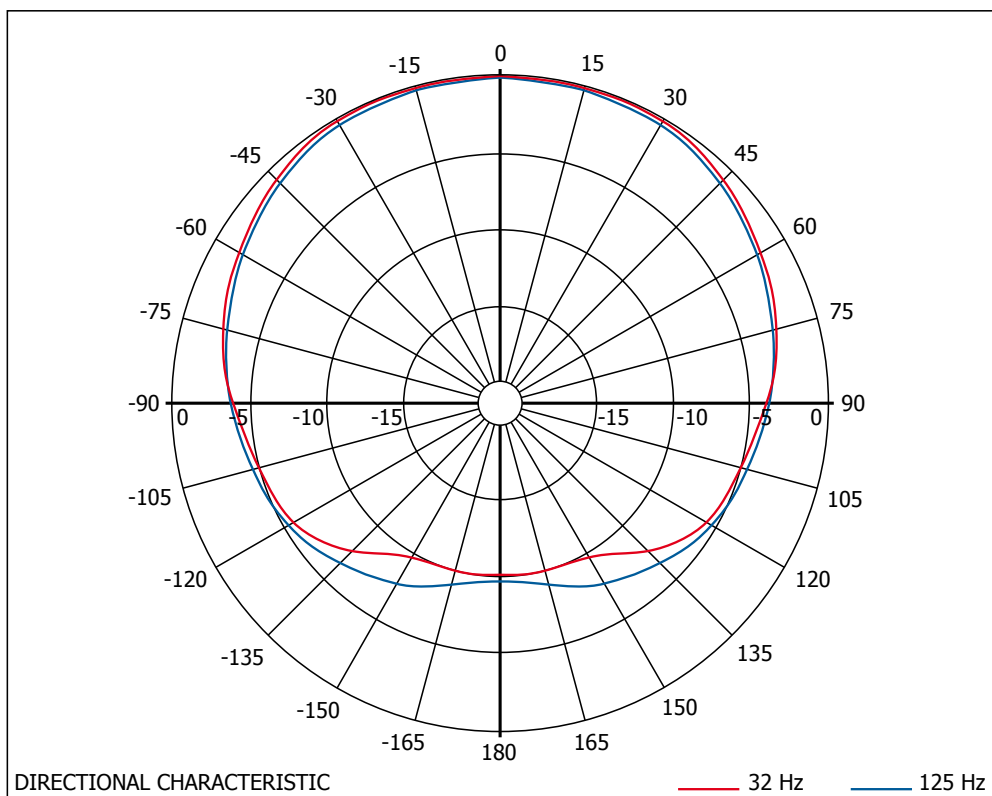
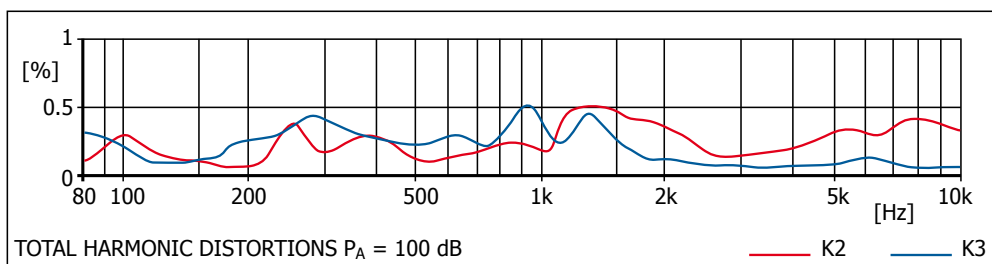
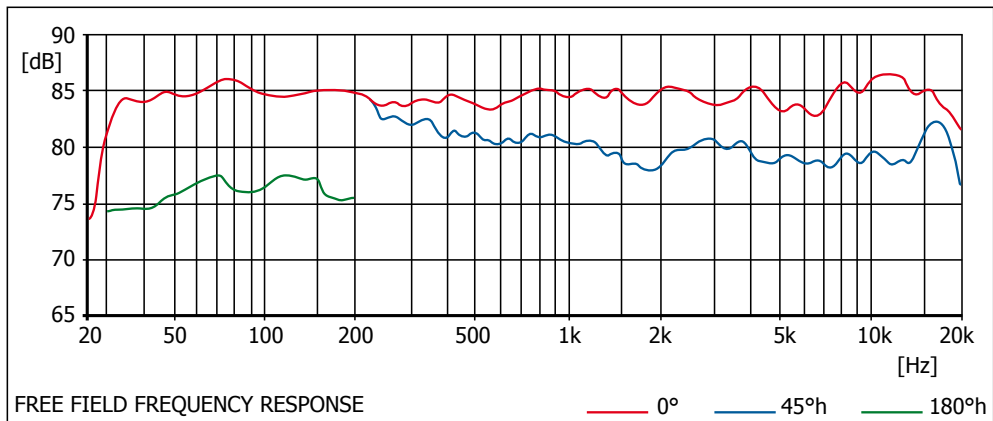
The LFE input is useful if only the two lower woofers should exclusively reproduce the LFE channel.

## 7 Specifications

General	Active 4-way high-performance loudspeaker for listening distances between 3 m (9'10") and 8 m (26'3")
Maximum SPL to IEC 268-1 Programme material	≥ 119 dB 125 dB peak / r = 1 m (3'3") (4π)
Bandwidth	25 Hz ... 22 kHz -6 dB
Calibration: Acoustic output level / $P_E = -14$ dBu	90 dB / r = 1 m (3'3")
Directivity index from 100 Hz ... 10 kHz	increasing from 4 dB to 13 dB
Inherent noise sound level	≤ 10 dB(A) / r = 1 m (3'3")
Total harmonic distortion measured at 100 dB <sub>SPL</sub> / r = 1 m (3'3") from 100 Hz ... 10 kHz	≤ -45 dB
Nominal input level	+6 dBu (adjustable)
Input impedance	≥ 10 kΩ RC balanced
Electronic crossover frequencies	160 Hz, 680 Hz and 2 kHz
Nominal output power of the amplifier LF 1 and 2 MF HF	1,000 W / 4 Ω 500 W / 4 Ω 500 W / 4 Ω
Input connector	2× XLR 3F (programme- and LFE input)
Output connector	
Drive units Woofer Mid-range unit Tweeter	3× 260 mm (10") cone 1× 160 mm (6.5") cone 3× 25 mm (1") dome
Operation and clipping indicator	LED on front
Power requirements	90 V ... 132 V, 55 Hz ... 65 Hz 190 V ... 265 V, 45 Hz ... 55 Hz
Power consumption	42 VA when idle max. 1,500 VA at full load
Mains connection	IEC power connector with RF filter
Environmental conditions for use for storage humidity	+15 °C ... +35 °C (+59 °F ... +95 °F) -25 °C ... +45 °C (-13 °F ... +113 °F) 45 % ... 75 %
Dimensions (H × W × D)	1,155 mm × 366 mm × 423 mm (45.5" × 14.5" × 16.7")
Weight	82 kg (180.8 lbs)
Design of the cabinet  Acoustic baffle	MDF wood in ash black veneered; different veneers and colours on request  MDF wood in microstructure semi-gloss black

## 8 Acoustic measurements

All acoustic measurements are carried out under anechoic conditions with 2 m (6'7") distance.



## 9 Notes









BDA\_ME802K\_16.05.2018\_ENV17



**musikelectronic geithain gmbh**

STUDIO MONITORING - HIGHEND LOUDSPEAKER - SOUND REINFORCEMENT  
SYSTEMS SYSTEMS

Nikolaistraße 7  
04643 Geithain / Germany

Phone: +49 (0) 34341 3110  
Fax: +49 (0) 34341 31144

Email: [info@me-geithain.de](mailto:info@me-geithain.de)

**[www.me-geithain.de](http://www.me-geithain.de)**